

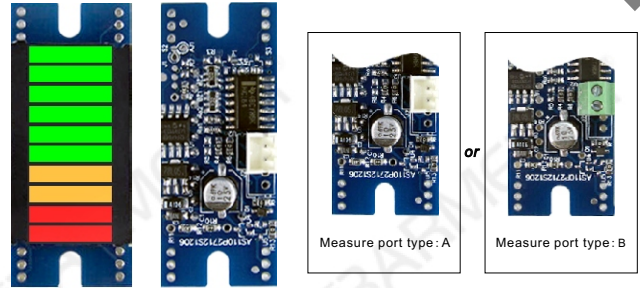
AS Series of LEDs Bargraph Meter Modules

AS110PN-2712S 10 Segments 27mm Single Bar-Meter Modules

AS

FEATURES

- Rectangle windows technics with soft tint.
- Single module struct, easy to install.
- Used to measure and display DC value.
- Passive detection.



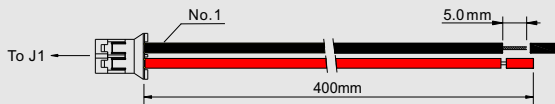
[Http://www.barmeter.com](http://www.barmeter.com)

DESCRIPTIONS

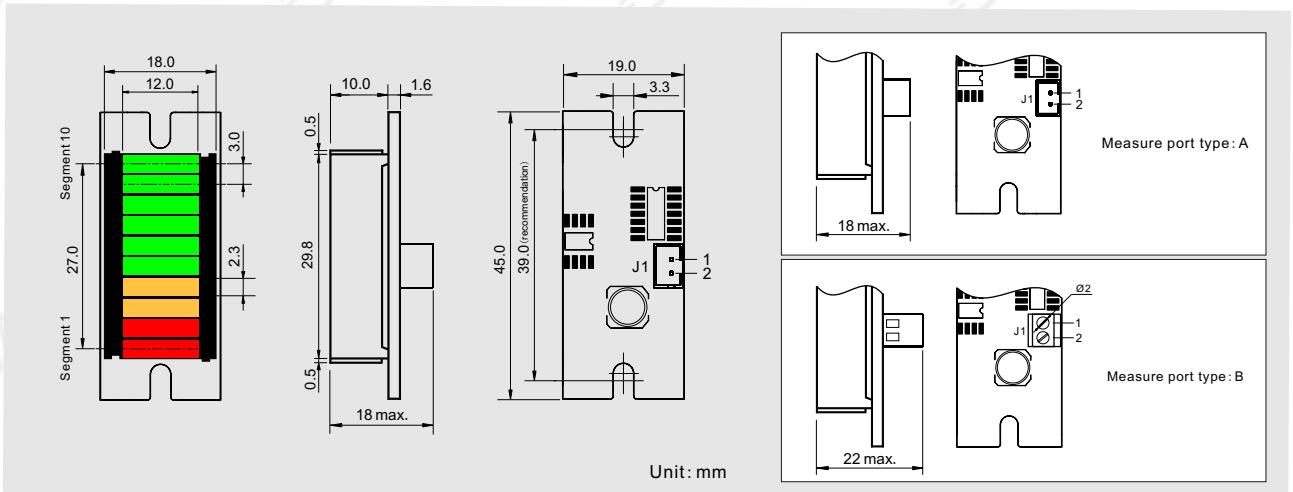
- **Input Mode:** Voltage
- **Max. Input Over Capability:** 2× Input value
- **Input Resistance Via for Volt Meter:** > 500KΩ
- **Measuring Accuracy:** ±2% F.S. ±1 Segment
- **Effective Beam Number:** 10 Segments
- **Bargraph Length:** 27 mm
- **Bargraph Width:** 12 mm
- **Segment Pitch:** 3.0 mm
- **Power Consumption:** ≤ 375mW (F.S.)
- **Environment:** -20~70°C & < 85%RH

ACCESSORY

CONNECTOR: WPH-202L40-1 (When measure port choose type A)



DIMENSION



MODEL AND ORDERING CODE

AS110PN-2712S A 7 0 1 1

Order Code (View 'ORDER CODE')

Measure Port Type { A: PH2.0
B: DG308

Model

CONNECTION DIAGRAM (J1)

No.	Symbol	Wire color	Definition
1	IN(L)	Black	Input Low
2	IN(H)	Red	Input High

ORDER CODE

Bar color	8.5~12.5V
Red ■■■■■■■	7012
Green ■■■■■■■	7022
Yellow ■■■■■■■	7032
2R2Y6G ■■■■■■■ ■■■■■■■ ■■■■■■■	7042

NOTES: 2R2Y6G means segment 1 to 2 are red, segment 3 to 4 are yellow, segment 5 to 10 are green.